

**M8 male 0° with cable**

PVC 4x0.25 gy UL/CSA 4m

Male straight

M8, 4-pole

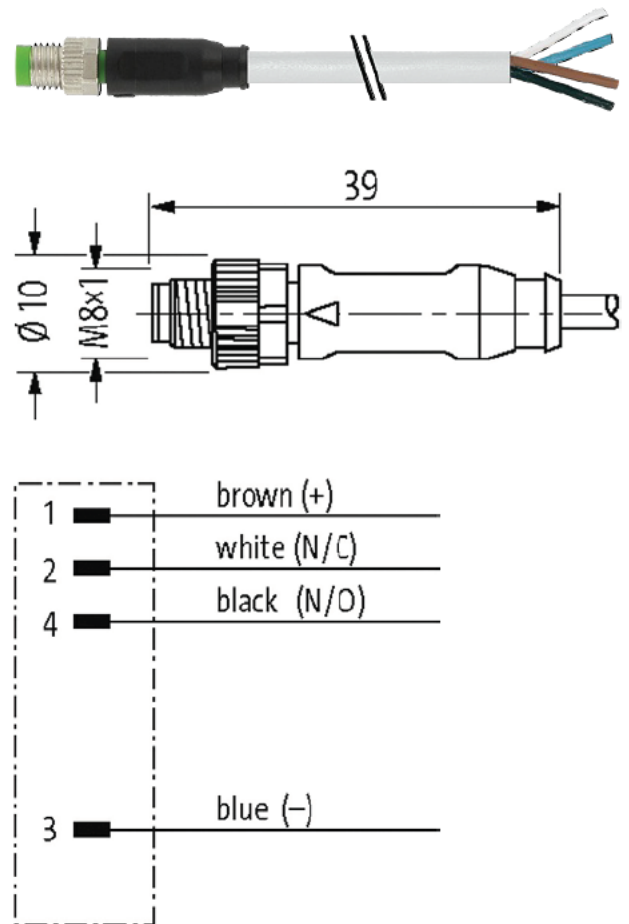
Art-No. 7005 - M8 L te - (plast c hexagona screw) on request

with cable sleeves

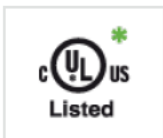
Plastic housings with good resistance against chemicals and oils.

The resistance to aggressive media should be individually tested for your application. Further details on request.

Further cable lengths on request.

**[Link to Product](#)****Illustration**

Product may differ from image

**Approvals**

\* only for products with UL/CSA approved cable

cCSAus

**Form**

Form

080

**General data**

Standards	D N EN 6 076 2 04 (M8)
Mounting method	inserted tightened
Material (contact)	Copper alloy
Material (contact surface)	Au
Pollution Degree	3
Temperature range	25 +85 °C depending on cable quality
<b>Cables</b>	
Cable identification	2
Cable Type	(PVC)
Approval (cable)	UL (AWM Style 2464/ 73 ) CSA
Cable weight [g/m]	34 76
Material (wire)	Cu wire bare
Resistor (core)	max 79 Ω/km (20 °C)
Single wire Ø (core)	0 5 mm
Construction (core)	4× 0 5 mm (multi strand wire class 5)
Diameter (core)	4× 0 25 mm <sup>2</sup>
AWG	similar to AWG 24
Material (wire isolation)	PVC
Material property (wire isolation)	CFC cadmium silicone and lead free
Shore hardness (wire isolation)	45 5 D
Wire Ø incl isolation	25 mm 5%
Color/numbering of wires	br bk bl wh
Stranding combination	4 wires twisted
Shield	no
Material (jacket)	PVC
Material property (jacket)	CFC cadmium silicone and lead free
Shore hardness (jacket)	85 5 A
Outer Ø (jacket)	4 8 mm 5%
Color (jacket)	gray
chemical resistance	good resistance to oil gasoline and chemicals
thermal resistance	flame retardant UL 58 VW / CSA FT
Nominal voltage	UL 300 V AC
Test voltage	2000 V AC
Current load capacity	to D N VDE 0298 4
Temperature range (fixed)	30 +80 °C
Temperature range (mobile)	5 +80 °C
Bend radius (fixed)	5× outer Ø
Bend radius (moving)	0× outer Ø
No /diameter of wires	4× 0 25 mm <sup>2</sup>
Wire isolation	PVC (br wh bl bk)
Jacket Color	gray
Material (jacket)	PVC (UL/CSA)
Outer Ø	4 8 mm 5%
Bend radius (moving)	0× outer Ø
Temperature range (fixed)	30 +80 °C
Temperature range (mobile)	5 +80 °C
<b>Technical Data</b>	
Operating voltage	max 50 V AC/60 V DC

Operating voltage (only UL listed)	30 V AC/DC
Rated surge voltage	5 kV
Operating current per contact	max 4 A
No. of poles	4
Material group	EC 60664 category
Locking of ports	Screw thread (M8× mm) recommended torque 0.4 Nm self securing
Compression gland	M8 (SW9)
Protection	P65 P66K P67 inserted and tightened (EN 60529)
Locking material	Zinc die casting matte nickel plated
Material	PUR
suitable for corrugated tube (internal Ø)	6.5 mm

**Commercial data**

country of origin	DE
customs tariff number	85444290
EAN	4048879672344
eClass	272792 8
Packaging unit	

**Sketch**

Male



Product image